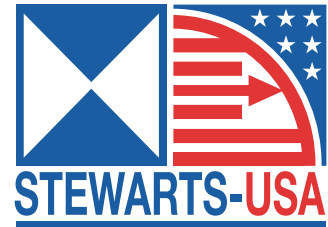


Heavy Duty, All Stainless Steel

2½" Model - 20S (20SV) (SV=VibraGauge®)

4" Models - 40S (40SV) & 41S (41SV)

6" Models - 60S (60SV) & 61S (61SV)



Dry, Liquid Fillable or Pre-Filled. VibraGauge® Option also available.
VibraGauge® for Dampening of vibration & pulsation without liquid-filling.

- > Case Relief Grommet
- > White Aluminium Dial, Black Figures
- > Black Aluminium Pointer (adjustable on 4" & 6")
- > AISI 316 Stainless Steel Wetted Parts
- > **AISI 316 Stainless Steel Case and Bayonet Ring (standard)**
- > Orifice Restrictor Screw (removable)

ACCURACY

+/- 1/2 % Full Scale (ASME B40.1 Grade 2A) on 4" & 6"
 +/- 1 % Full Scale (ASME B40.1 Grade 1A) on 2½"

LENS

Laminated Safety Glass, removable/replaceable - 4mm thick .

MOUNTING TYPES and CASE TYPES

No Code Bottom Connection

LB: Lower-Back Connection. (**CB:** Center-Back, Special, N/A on 2½")

FP: Front Flange for Panel Mounting.

C: C-Clamp Fixing for Panel Mounting. (Not Available on Solid Front Model)

R: Rear Flange for Wall Mounting.

S: Solid Front/Blow-out Back (Safety Case)

PRESSURE RANGE CODES (up to 60,000 psi available on 6 inch SF/BOB case)

Range Code	Range (psi)	Range Code	Range (psi)	
V30	30"Hg - 0 Vacuum	300	0-300	
R315	Receiver 3-15	400	0-400	
C15	30"Hg -0- 15	600	0-600	
C30	30"Hg -0- 30	800	0-800	
C60	30"Hg -0- 60	1K	0-1,000	
C100	30"Hg -0- 100	1500	0-1,500	
C160	30"Hg -0- 160	2K	0-2,000	
C200	30"Hg -0- 200	3K	0-3,000	
C300	30"Hg -0- 300	4K	0-4,000	
15	0-15	5K	0-5,000	
30	0-30	6K	0-6,000	
60	0-60	10K	0-10,000	
100	0-100	15K	0-15,000	
160	0-160	20K	0-20,000	HIGH PRESSURE CONNECTIONS REQUIRED
200	0-200	30K	0-30,000	HIGH PRESSURE CONNECTIONS REQUIRED
		35K	0-35,000	HIGH PRESSURE CONNECTIONS REQUIRED



Model Shown: 41S-15K
 To order other models by part number, see below.

HIGH PRESSURE CONNECTIONS AVAILABLE

20K = 1/4MPF (Female) 1/4MPM (Male) 9/16MPM (Male)
 30K = 1/4HPF (Female) 1/4HPM (Male) 9/16HPM (Male)
 35K = 1/4HPF (Female) 1/4HPM (Male) 9/16HPM (Male)

Note: On Model 20S Max Pressure = 20K, High Pressure Connection Required = 1/4MPM(Male)

SPECIAL ADDER CODES

psi/Bar scale = **-B**
 psi/kPa scale = **-K**
 Monel wetted parts = **-M**
 Safety Zone Reflective Glow = **-G**
 Cleaned for Oxygen Service = **-O**

HOW TO ORDER BY PART NUMBER

- 1 Model number selected. (VibraGauge® option: add "V" to model)
- 2 Choose **Pressure Range** (code).
- 3 Choose **Mounting Type** (code).
- 4 If **Special Adder Codes** are needed, add code or (description).
- 5 Liquid filling, if desired: **GF=Glycerin, SF=Silicone, FF=Fluorolube**

FOR EXAMPLE (AS SHOWN) 41S-15K
 4 inch, Fillable, All Stainless, 1/2 inch NPT
 Bottom Connection. 0-15,000 psi.

1-Model	2-Range Code	3-Mounting Type	4-Special Adder Codes	5-Filling
41S	15K	None	None	None

We manufacture a wide range of instruments to customer's special requirements.

We shall be pleased to discuss and advise on your specifications.

Specifications and dimensions given in this leaflet represent the state of engineering at the time of printing.

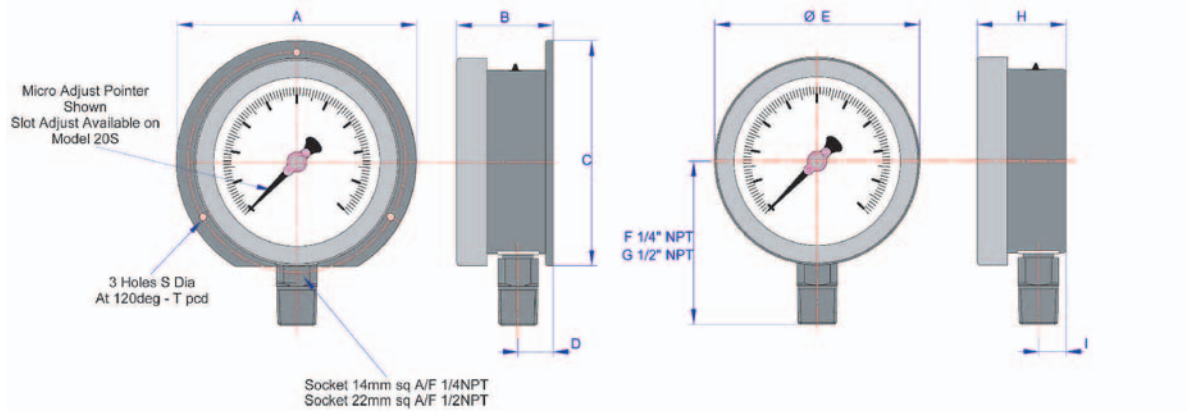
Engineering modifications may take place without prior notice.

Heavy Duty, All Stainless Steel Gauges

2½" Model - 20S or 20SV (¼" NPT) (SV = VibraGauge® option)

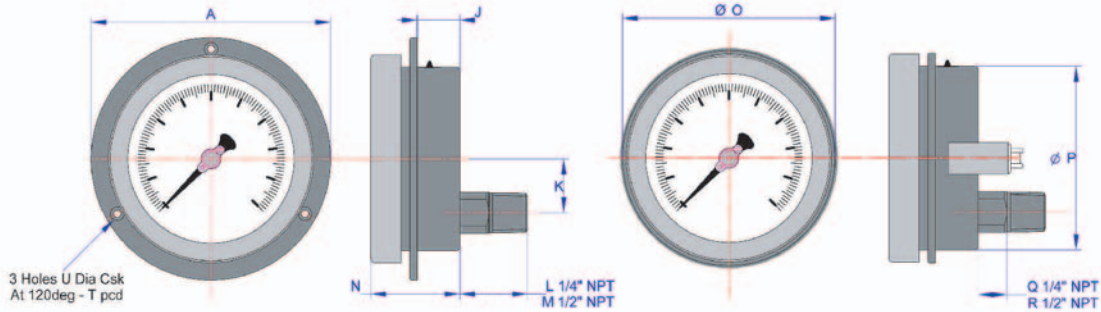
4" Models - 40S* or 40SV* (¼" NPT) & 41S** or 41SV** (½" NPT) (Non-Fillable Case = *44S & *44SV or **45S & **45SV)

6" Models - 60S* or 60SV* (¼" NPT) & 61S** or 61SV** (½" NPT) (Non-Fillable Case = *62S & *62SV or **63S & **63SV)
 Rear Flange Wall Mounting (R) Direct Mounting (Standard, no code)



Front Flange Panel Mounting (FP) & (LB)

Clamp Fixing Panel Mounting (C)



	A	B	C	D	E	F	G	H	I	J	K	L	M	N	O	P	Q	R	S	T	U	Cut Out
(20S) 63mm 2.5in	85 3.35	39 1.54	78.5 3.09	11.5 0.45	68.5 2.70	58 2.28	-	31 1.22	9.5 0.37	21.5 0.85	18 0.71	29 1.14	-	37 1.46	67 2.64	62 2.44	13 0.51	-	3.8 0.15	3.5 0.14	75 2.95	66 2.60
(40S/41S) 100mm 4in	132 5.2	51 1.99	121 4.76	17.5 0.69	112 4.41	83 3.27	88 3.46	48.5 1.91	15 0.59	24.5 0.96	32 1.26	34 1.34	39 1.54	48.5 1.91	110 4.33	99 3.90	18 0.71	18 0.71	6 0.24	6 0.24	118 4.65	106 4.17
(60S/61S) 160mm 6in	196 7.72	51 1.99	184 7.84	17.5 0.69	162 6.38	109 4.29	114 4.49	48.5 1.91	15 0.59	24.5 0.96	32 1.26	34 1.34	39 1.54	48.5 1.91	172 6.77	148 5.83	18 0.71	18 0.71	5.8 .23	5.8 .23	178 7.01	153 6.02

SOLID FRONT SAFETY CASE (S)

(20S) 63mm 2.5in	85 3.35	43 1.70	78.5 3.09	20.5 0.81	63.5 2.50	58 2.28	-	42 1.65	19.5 0.77	21 0.83	18 0.71	28 1.10	-	42 1.65	-	62 2.44	12 0.47	-	3.8 0.15	75 2.95	3.5 0.14	66 2.75
(40S/41S) 100mm 4in	132 5.20	65 2.56	121 4.76	30 1.18	112 4.41	83 3.27	88 3.46	65 2.56	29 1.14	41 1.61	34 1.34	37 1.46	42 1.65	67 2.64	-	99 3.90	21 0.83	21 0.83	6 0.24	118 4.65	6 0.24	106 4.17
(60S/61S) 160mm 6in	196 7.72	66 2.60	184 7.24	30 1.18	162 6.38	109 4.29	114 4.49	65 2.56	29 1.14	41 1.61	34 1.34	37 1.46	42 1.65	92 3.62	-	148 5.83	21 0.83	21 0.83	5.8 0.23	178 7.01	5.8 0.23	155 6.10

Gas and steam in excess of 400 psi pressure can represent danger if there is a rupture in the Bourdon tube measuring this gas.

To minimize, gauges in this application should be **Solid Front** type, having solid front between Bourdon tube and dial,

safety window and blow-out back to allow any discharge to release to the rear of gauge.

Although there is not necessarily any great risk in the use of gauges for gases at pressure less than 400 psi, a blow-out valve should be

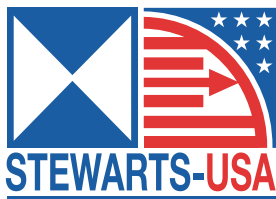
incorporated and the purchaser should have regard to the nature of the gas and the installation conditions and, if necessary,

order a gauge of the **Solid Front** type.

Surface mounted (rear flange) gauges should be fitted with distance pieces of not less than ¾" (20mm) long to allow them to be mounted away from wall or panel.

VibraGauge® dampened movement option provides twice the life of dry gauges, without the liquid-filling. Eliminates pointer flutter and liquid fill lines.

Before use please consult our recommendation regarding selection and installation or consult ASME B40.100.



STEWARTS-USA

6786 Tipperary
Houston, TX 77061 USA
713-643-1022
713-643-2855 Fax
800-901-1316

www.stewartsusa.com