

DIFFERENTIAL Stainless Steel Gauges

PRESSURE

Case
AISI 304 Stainless Steel
Bezel Stainless Steel (Bayonet type).
Weatherproof Construction

Socket + Element
AISI 316 Stainless Steel

Thread
1/4", 3/8", 1/2" NPT, BSP, BSPT

Dial
White Aluminium (Black Printing)

Pointer
Black Aluminium

Window
Sheet Glass

Standard Size
100, 150mm

Accuracy class
2%

Ordering information
State:- Pressure gauge model
/ Nominal size / Scale range / Static pressure
/ Size and location of connection / Optional extras reqd.

Measuring Element:- See attached



Optional extras

AISI 316 Stainless steel case.
White plastic dial (Black Printing).
Monel to Nace MR-01-75 wetted parts.
Laminated safety glass / Perspex window.
Customer logo.
Safety pattern construction.
Further options: on request

We manufacture a wide range of instruments to customer's special requirements
We shall be pleased to discuss and advise on your specifications.

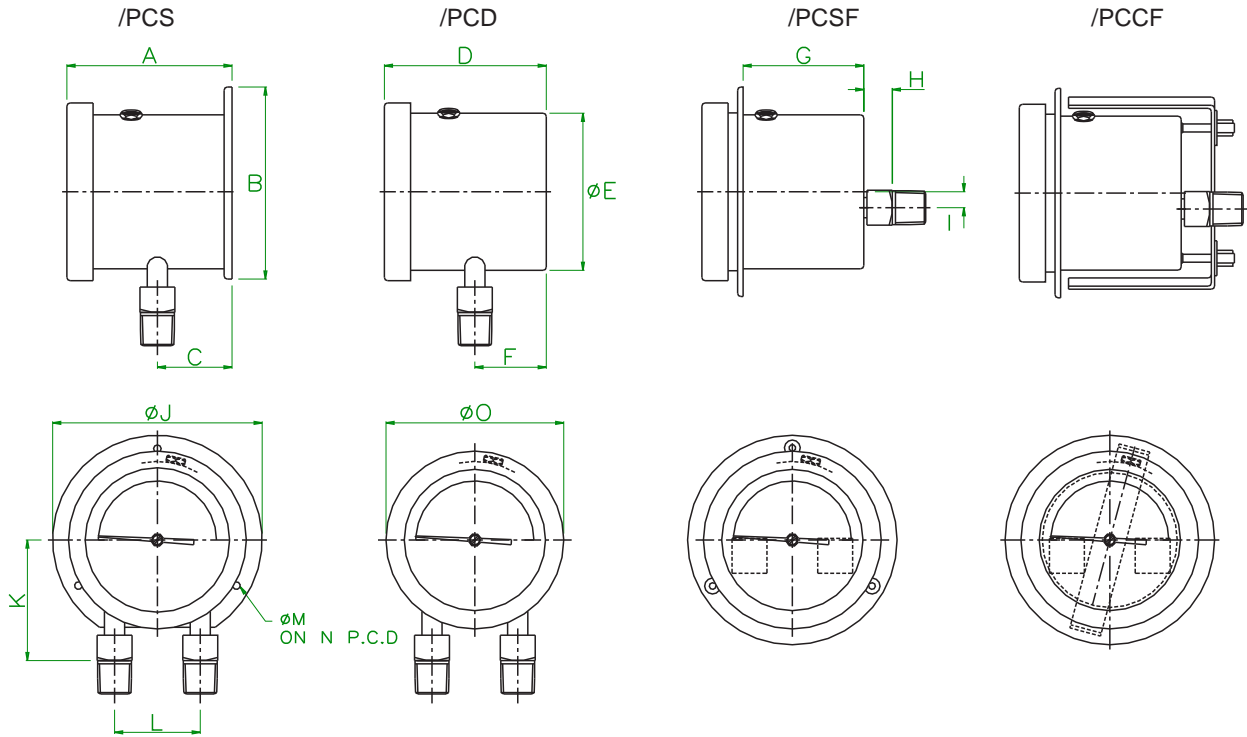
Specifications and dimensions given in this leaflet represent the state of engineering at the time of printing.
Engineering modifications may take place without prior notice.

STEWART-BUCHANAN GAUGES LTD
Sales Office & Manufacturing Facility,
Burnside Industrial Estate, Kilsyth, G65 9JX, SCOTLAND
Tel:- +44 (0)1236 821533
Fax:- +44 (0)1236 824090
E-Mail:- sales@stewarts-group.com
Web Site:- www.stewarts-group.com

DIFFERENTIAL Stainless Steel Gauges

PRESSURE

Model - 4503



NOTE: Model Nos
Suffix model 4503 with mounting
style shown above. i.e - PCS, PCD, etc

Delta P range: Min 0.3 bar
Max 100 bar

Static pressure Max 600 bar

(Maximum ratio DP to static 10 : 1)

Measuring element: S/St Bourdon
Tubes.

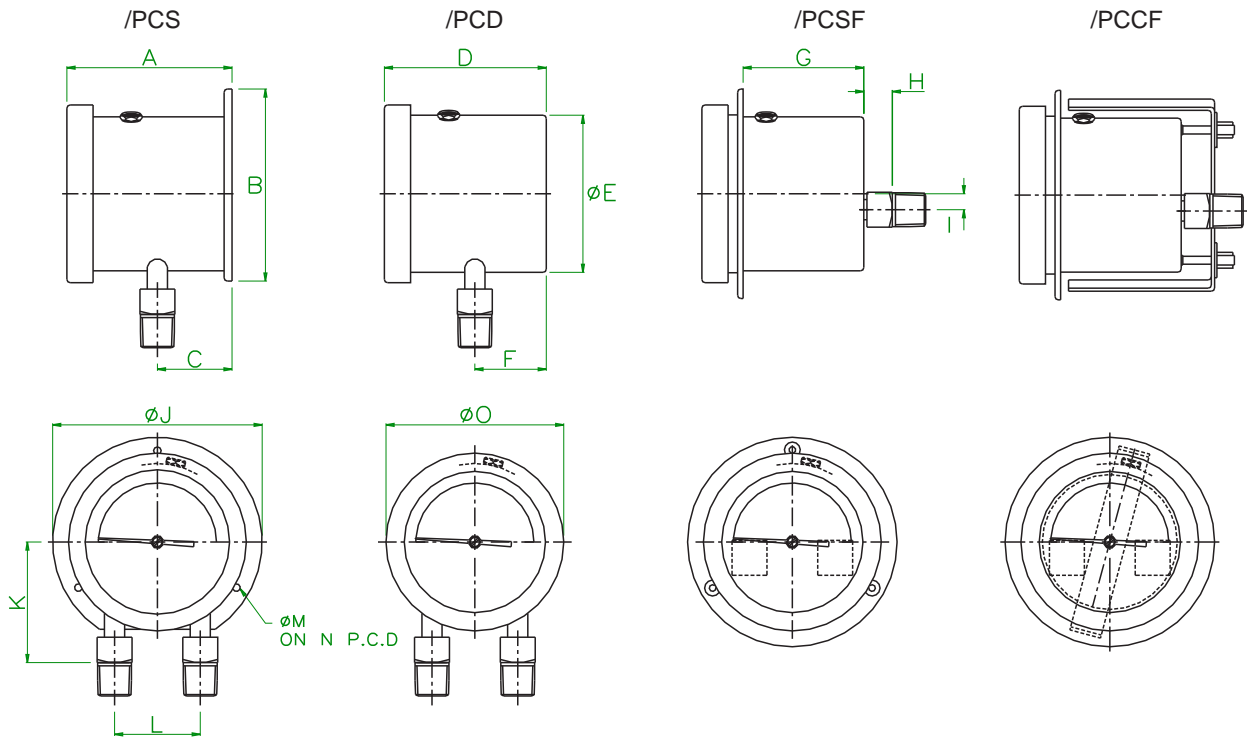
Dimensions Diameter	A	B	C	D	E	F	G	H	I	J	K	L	M	N	O	Panel Cut-out
100	104	121	47	101	99	45	76	18	10	132	76	54	4.5	116	112	105
150	104	184	50	101	158.5	47	63	18	10	196	103	54	5.8	178	161	165

STEWART-BUCHANAN GAUGES LTD
Sales Office & Manufacturing Facility,
Burnside Industrial Estate, Kilsyth, G65 9JX, SCOTLAND
Tel:- +44 (0)1236 821533
Fax:- +44 (0)1236 824090
E-Mail:- sales@stewarts-group.com
Web Site:- www.stewarts-group.com

DIFFERENTIAL Stainless Steel Gauges

PRESSURE

Model - 4901



NOTE: Model Nos
Suffix model 4901 with mounting
style shown above. i.e - PCS, PCD, etc

Delta P range: Min 100 mbar
Max 2.5 bar

Static pressure Max 25 bar

Measuring element: S/St Diaphragm.

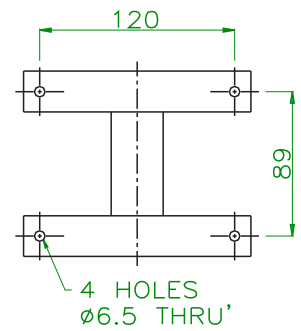
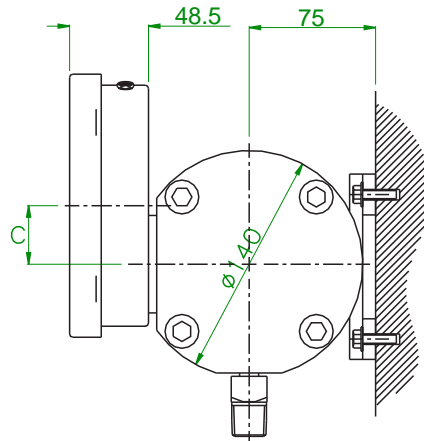
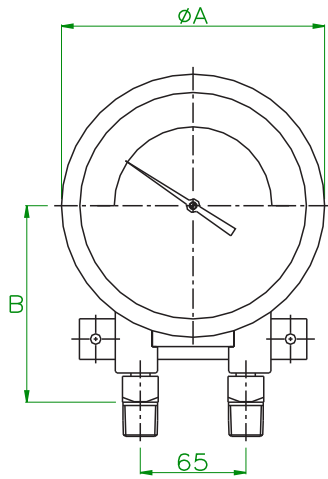
Dimensions Diameter	A	B	C	D	E	F	G	H	I	J	K	L	M	N	O	Panel Cut-out
100	104	121	47	101	99	45	76	18	10	132	76	54	4.5	116	112	105
150	104	184	50	101	158.5	47	63	18	10	196	103	54	5.8	178	161	165

STEWART-BUCHANAN GAUGES LTD
Sales Office & Manufacturing Facility,
Burnside Industrial Estate, Kilsyth, G65 9JX, SCOTLAND
Tel:- +44 (0)1236 821533
Fax:- +44 (0)1236 824090
E-Mail:- sales@stewarts-group.com
Web Site:- www.stewarts-group.com

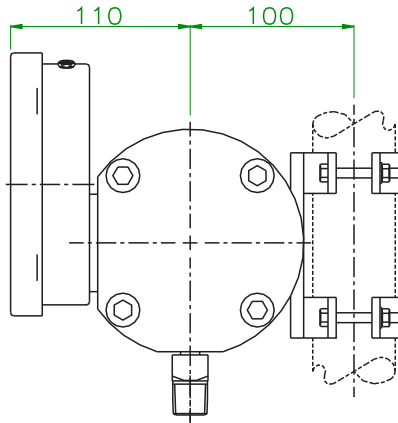
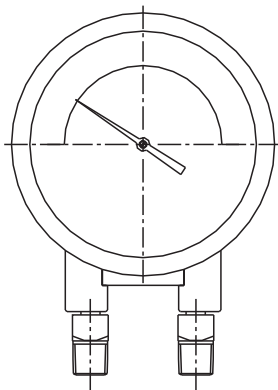
DIFFERENTIAL Stainless Steel Gauges

PRESSURE

Model - 4906/ BSM
Surface Mounted



Model - 4906
Yoke Mounted



Dimensions Diameter	A	B	C
100	112	100	16
150	162	120	32

Delta P range: Min 100 mbar
Max 25 bar

Static pressure Max 220 bar

Measuring element: S/St DP cell.

STEWART-BUCHANAN GAUGES LTD
Sales Office & Manufacturing Facility,
Burnside Industrial Estate, Kilsyth, G65 9JX, SCOTLAND
Tel:- +44 (0)1236 821533
Fax:- +44 (0)1236 824090
E-Mail:- sales@stewarts-group.com
Web Site:- www.stewarts-group.com