

DUPLEX
Gauge

PRESSURE

Case

AISI 304 Stainless Steel
Bezel Stainless Steel (Bayonet type).
Weatherproof Construction

Socket + Element

AISI 316 Stainless Steel

Thread

1/4", 3/8", 1/2" NPT, BSP, BSPT

Dial

White Aluminium (Black Printing)

Pointer

Black Aluminium

Window

Sheet Glass

Standard Size

100, 150mm

Accuracy class

2%

Ordering information

State:- Pressure gauge model

/ Nominal size / Scale range

/ Size and location of connection / Optional extras reqd.



Model - 2023

Optional extras

AISI 316 Stainless steel case.

White plastic dial (Black Printing).

Monel to Nace MR-01-75 wetted parts.

Laminated safety glass / Perspex window.

Customer logo.

Safety pattern construction.

Further options: on request

We manufacture a wide range of instruments to customer's special requirements
We shall be pleased to discuss and advise on your specifications.

Specifications and dimensions given in this leaflet represent the state of engineering at the time of printing.
Engineering modifications may take place without prior notice.

STEWART-BUCHANAN GAUGES LTD

Sales Office & Manufacturing Facility,
Burnside Industrial Estate, Kilsyth, Glasgow, G65 9JX, SCOTLAND

Tel:- +44 (0)1236 821533

Fax:- +44 (0)1236 824090

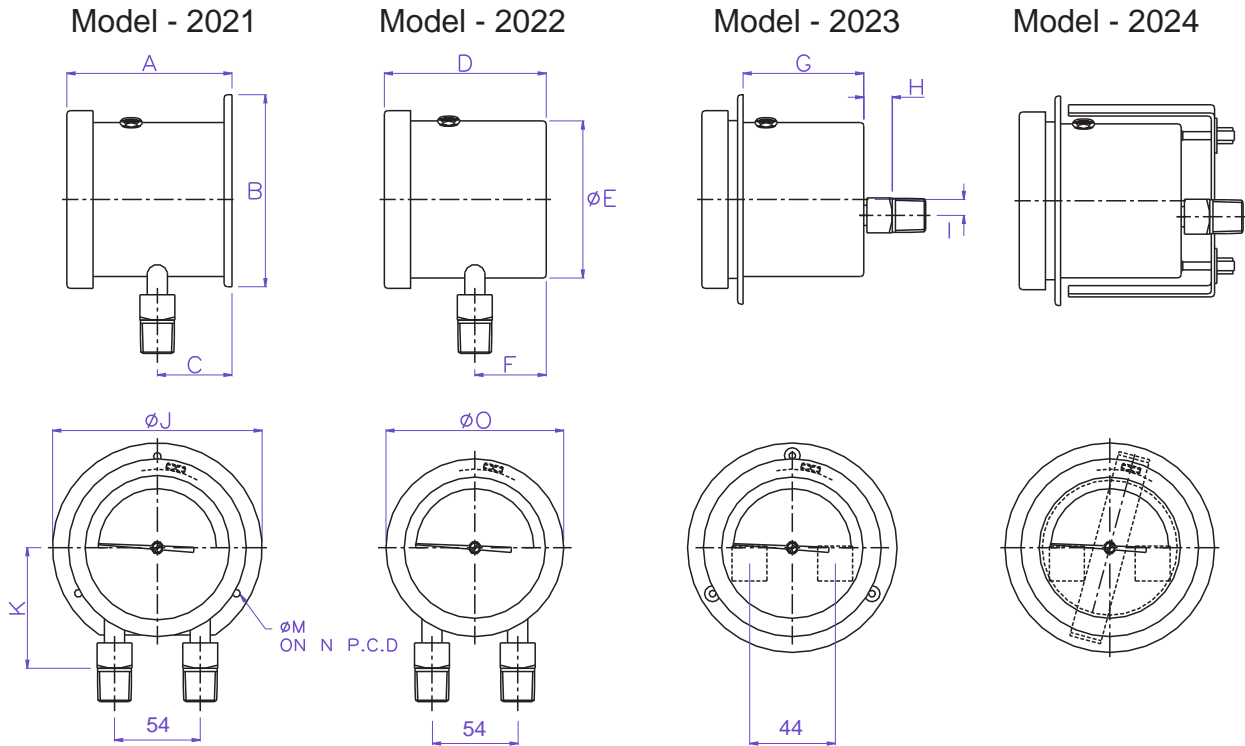
E-Mail:- sales@stewarts-group.com

Web Site:- www.stewarts-group.com

stewarts-group.com

Pressure Gauges . Thermometers . Needle Valves . Ball Valves . Check Valves . Manifolds

Standard Dimensions



Dimensions Diameter	A	B	C	D	E	F	G	H	I	J	K	M	N	O	Panel Cut-out
100	104	121	47	101	99	45	62	18	10	132	76	4.5	116	112	105
150	104	184	50	101	158.5	47	63	18	10	196	103	5.8	178	161	165

STEWART-BUCHANAN GAUGES LTD

Sales Office & Manufacturing Facility,
Burnside Industrial Estate, Kilsyth, Glasgow, G65 9JX, SCOTLAND
Tel:- +44 (0)1236 821533
Fax:- +44 (0)1236 824090
E-Mail:- sales@stewarts-group.com
Web Site:- www.stewarts-group.com