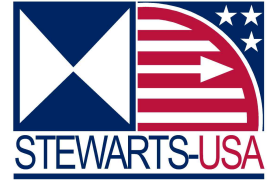


SUBSEA Pressure Gauges



2.5" Model-20SVSUB 1/4" NPT
4" Model-40SVSUB 1/4" NPT **41SVSUB** 1/2" NPT
6" Model-60SVSUB 1/4" NPT **61SVSUB** 1/2" NPT

This is a "true" subsea gauge; certified for subsea use. Gauge inlet pressure is not affected by atmospheric pressure and will read the same at sea level or at any depth down to model depth rating.

Case

AISI 316 Stainless Steel, Welded One-Piece Case/Socket
 Pressure tight for depths down to model depth rating.

Special gauges can be manufactured for depths down to 10,000 ft (3,000 mtr) of water on 100mm (4") gauges only.
 Glycerin filling = 80% Glycerin / 20% Distilled water (standard)

Socket + Element

AISI 316 Stainless Steel

Thread (metric available)

1/4" NPT, on 2.5" (63mm) gauge
 1/4" or 1/2" NPT, on 4" & 6" (100 & 150mm) gauges

Movement

Vibragaug[®] dampened movement. Stainless Steel (standard)

Dial

Aluminium (White printing on Black background)

Pointer

White painted Aluminium

Window

Toughened glass on 1000ft 2.5" 4" (63 & 100mm) gauges
 Acrylic on 1000ft 6" (150mm) gauge &
 4000, 5000 & 10000ft 4" (100mm) gauges.

Standard Size

2.5" 4" & 6" (63, 100, & 150mm)

Accuracy class

± 1% up to 15,000 psi, ± 1.5% over 15,000 psi

Mounting and Case types (see reverse)

5010: Bottom Connection.
5011: Rear Flange Panel Mount.
5012: Front Flange Panel Mount.

Scale Range

Rear Connect

Vacuum to 20,000 psi (1,400 bar) on 2.5" (63mm) gauge
 Vacuum to 45,000 psi (3,000 bar) on 4" & 6"
 (100 & 150mm) gauges

Bottom Connect

Vacuum to 10,000 psi (700 bar) on 2.5" (63mm) gauge
 Vacuum to 10,000 psi (700 bar) on 4" & 6"
 100 & 150mm gauges

High Pressure Connections Available

1/4" MPF (Female) 1/4" MPM (Male) 9/16" MPM (Male)
 1/4" HPF (Female) 1/4" HPM (Male) 9/16" HPM (Male)

Further options: on request



Front Flange Panel Mount
Model - 40SVSUB5012K3-10K-GF

Depth Codes

K1 = 1,000 Feet
 (Over 1,000 Feet 4 inch dial size only)
K2 = 4,000
K3 = 10,000

How to order by Part Number

- 1 **Model Number**
- 2 **Mounting & Case Type** (see reverse)
- 3 **Depth Code**
- 4 **Pressure Range** (e.g. 10,000 psi = 10K)
- 5 **GF = Glycerin Filled** (standard), **SF = Silicone Filled**

Example: 40SVSUB5012K3-10K-GF

Model	Mounting & Case type	Depth code	Pressure range	Liquid filling
40SVSUB	5012	K3	10K	GF

Specially developed to meet the need for gauges working at great depths under the sea and in Hyperbaric conditions.

We manufacture a wide range of instruments to customer's special requirements
 We shall be pleased to discuss and advise on your specifications.

Specifications and dimensions given in this leaflet represent the state of engineering at the time of printing.
 Engineering modifications may take place without prior notice.

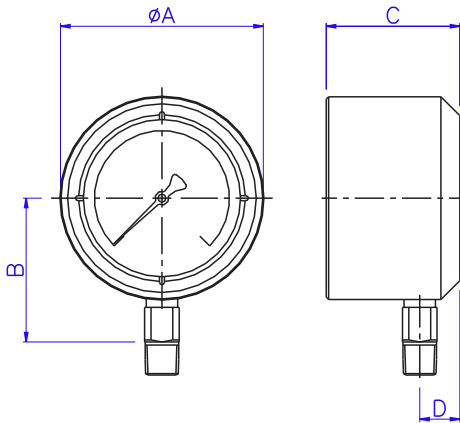
SUBSEA Pressure Gauges

2.5" Model-20SVSUB 1/4" NPT

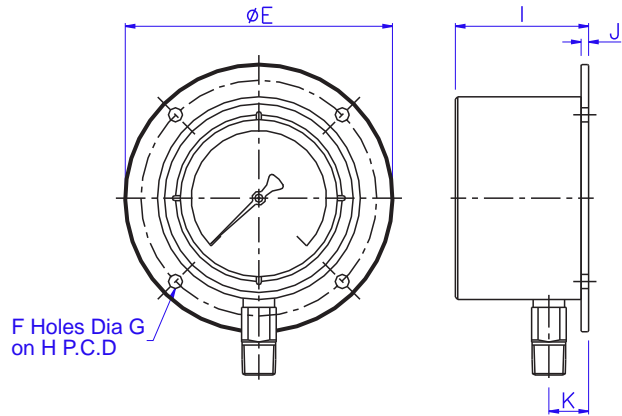
4" Model-40SVSUB 1/4" NPT 41SVSUB 1/2" NPT (or high pressure)

6" Model-60SVSUB 1/4" NPT 61SVSUB 1/2" NPT (or high pressure)

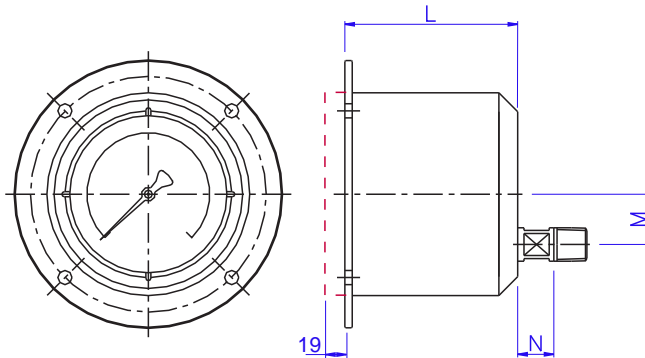
5010-Bottom Connection



5011-Rear Flange Panel Mount



5012-Front Flange Panel Mount

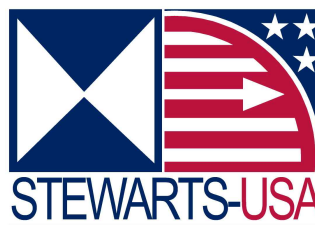


(Raised bezel on 2.5"(63mm) gauge only)

Sub Sea Gauges Dimension Chart

Depth	Diameter	Dim mm														Panel Cutout
		A	B	C	D	E	F	G	H	I	J	K	L	M	N	
1,000ft/300m	2.5" (63mm)	84	50	53	19	110	3	5.2	95	53	4	19	34	18	18	80
	4" (100mm)	129	91.5	85	26	170	4	9	150	85	5	26	85	32	23	133
	6" (150mm)	178	116	134	34	240	4	10.5	208	134	10	33	134	32	23	185
4,000ft/1,200m	4" (100mm)	129	91.5	96	26	170	4	9	150	96	5	26	96	32	23	133
5,000ft/1,500m	4" (100mm)	132	93	96	26	170	4	9	150	96	5	26	96	32	23	136
10,000ft/3,000m	4" (100mm)	139	96.5	111	26	180	4	9	160	111	5	26	111	32	23	143

Warning : Before use please consult our recommendation regarding selection and installation.
Copies available on request.



STEWARTS - USA
6786 Tipperary
HOUSTON, TX 77061 USA
Phone. 713-643-1022
Fax. 713-643-2855
Toll Free. 1-800-901-1316
Web. stewartsusa.com