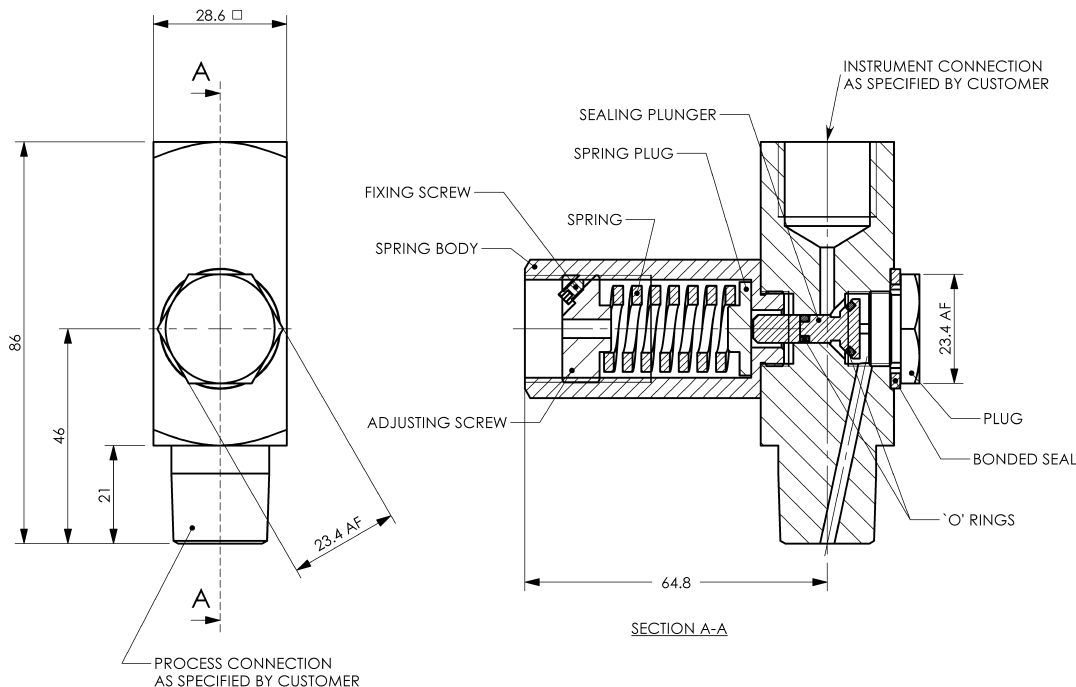


OVERRANGE GAUGE PROTECTOR



(MODEL ILORP-07M-07F-AI USED TO ILLUSTRATE DIMENSIONS)

Features

- Over range protector designed to protect gauges instruments etc, from surges in pressure.
- Available in shut-off ranges from 6 to 5800 psi (0.4 to 400 bar).
- Maximum inlet pressure 600 bar.
- Bonnet locking pin - safely locks bonnet to body.
- Maximum temperature 80 deg.C, for ranges 6 - 36 psi (0.4 - 2.5 bar) and 110 deg.C, for ranges 36 - 5800 psi (2.5 - 400 bar).
- Can be supplied to NACE MR-01-75-Latest edition.
- Materials:- 316 STST-monel-brass etc.

How To Order

PART No = ILORP-__M or F-__M or F-__

↑
↑
↑
↑

Inlet
Outlet
Material
Set Range

Inlet and Outlet Codes

Select M or F for Male or Female

03 = 1/4" NPT	04 = 1/4" BSPP	13 = 1/4" BSPTaper
05 = 3/8" NPT	06 = 3/8" BSPP	14 = 3/8" BSPTaper
07 = 1/2" NPT	08 = 1/2" BSPP	15 = 1/2" BSPTaper
09 = 3/4" NPT	10 = 3/4" BSPP	16 = 3/4" BSPTaper
11 = 1" NPT	12 = 1" BSPP	17 = 1" BSPTaper

Material Codes

AI = AISI 316 S/S
 MO= MONEL
 BR = BRASS
 Add AL at end of Part No when NACE MR-01-75 is required

Set Range

6 - 36 psi (0.4 - 2.5 Bar) = L	87 - 290 psi (6 - 20 Bar) = M2	1015 - 2900 psi (70 - 200 Bar) = M4
36 - 87 psi (2.5 - 6 Bar) = M1	290 - 1015 psi (20 - 70 Bar) = M3	2900 - 5800 psi (200 - 400) Bar = M5



STEWARTS-USA, LLC
 6786 Tipperary
 HOUSTON, TX 77061
 Phone. 713-643-1022
 Fax. 713-643-2855
 Toll Free. 1-800-901-1316